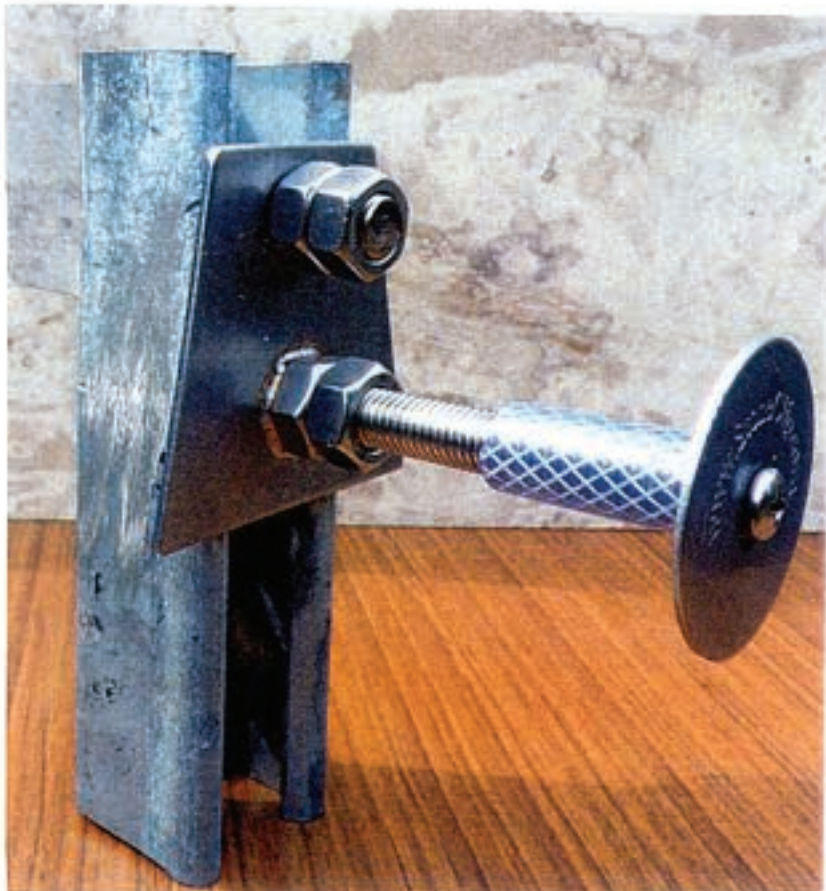
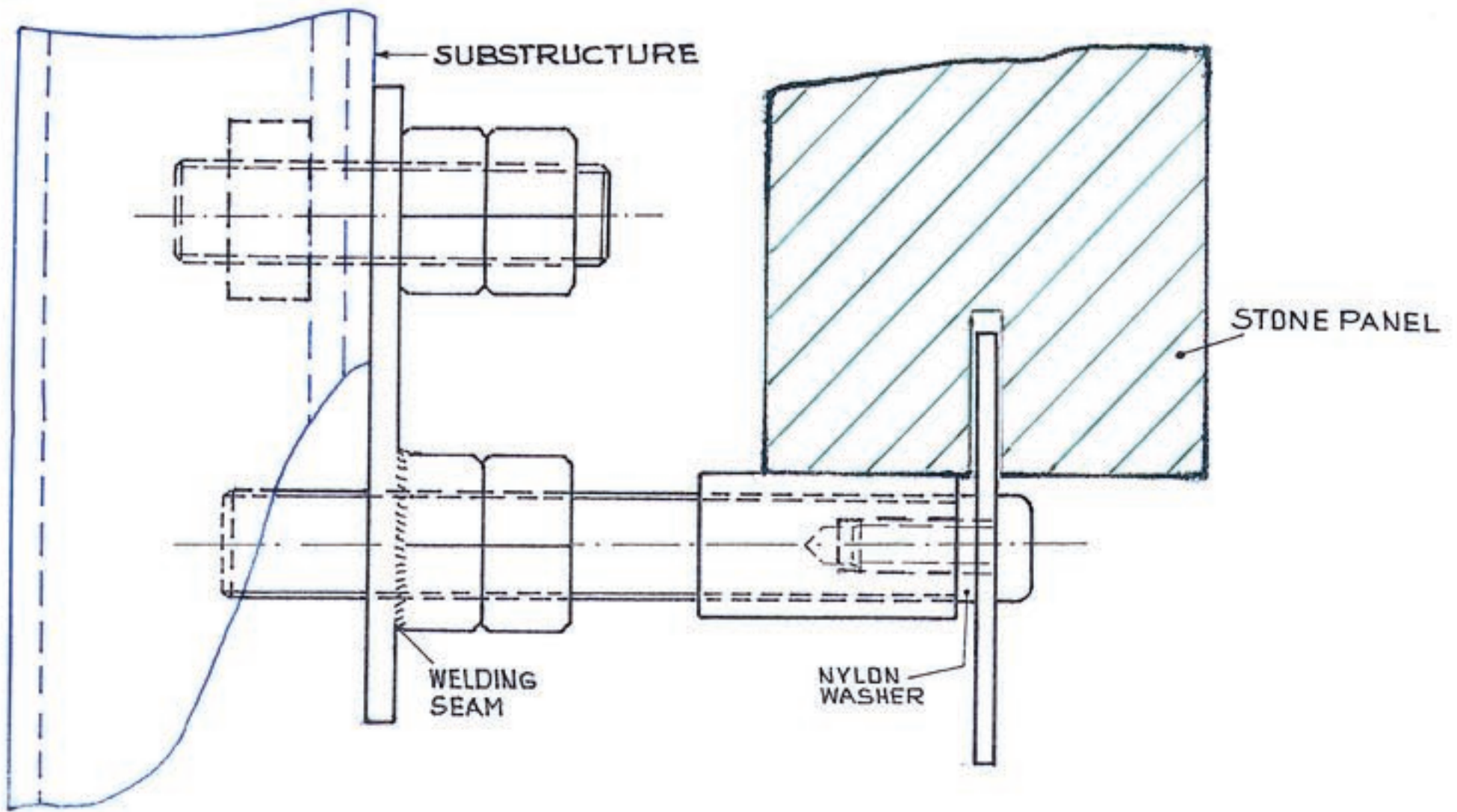


SHOCKCLIP STONECLIP™

for unpredictable
subterranean movement
OUT NOW!!



SHOCK-CLIP IS STRUCTURED TO RESTRAIN AND SUPPORT PANELS FROM 30 TO 50 MM THICKNESS, AVAILABLE IN TWO MODELS :

- * FIXING STRAIGHT ON TO SUBSTRATE OR
- * FIXING ON TO SUBSTRUCTURE (UNISTRUT)

PANEL SIZE IS RELEVANT TO CAVITY AND WEIGHT.

SHOCKCLIP IS DESIGNED TO CREATE A SITUATION WHERE THE PANEL LOAD CAN BE CUSHIONED AGAINST UNPREDICTABLE SUB-TERRAINIAL, MANMADE AND/OR FOUNDATION MOVEMENTS.

BOTH THE SHAFT AND THE HEAD ARE CUSHIONED. IT IS MEANT TO BE USED FOR CAVITIES FROM 30 TO 50 MM.

THE LOAD AND TENSION OF THIS CLIP ARE THE SAME AS THE STANDARD 12MM ADJUSTABLE SHOWN IN THE ENGINEER'S SPECS.

SHOCKCLIP AVAILABLE IN 12MM x 100MM SHAFT.