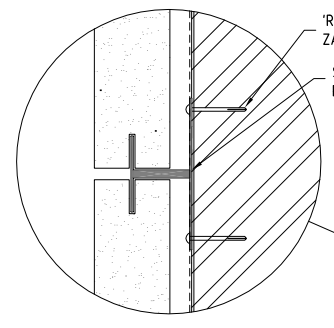
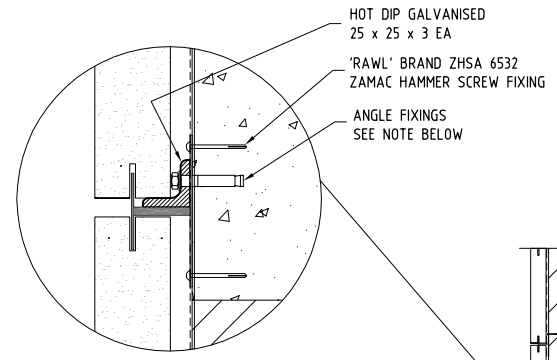


A1 SHEET

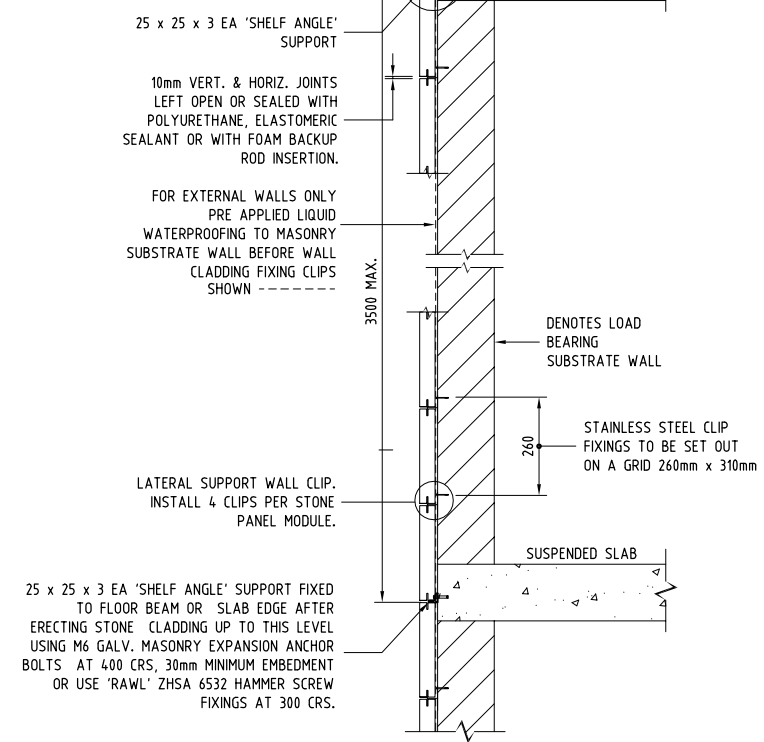
300mm

200mm

100mm

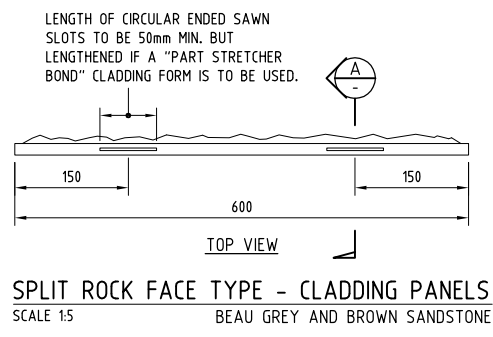


**TYPICAL PANEL CLADDING SUPPORT AT SUSPENDED CONCRETE FLOORS OR OVER WINDOWS ETC.**  
SCALE 1:5



**CLADDING SUPPORT DETAILS FOR MULTIPLE LEVEL BUILDING**  
SCALE 1:10

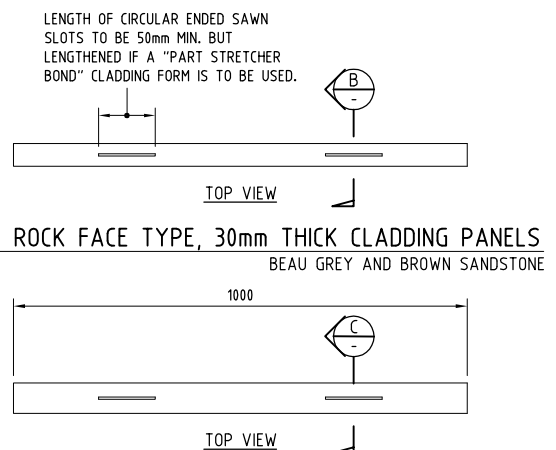
USE 40 THICK SMOOTH FACE CLADDING ONLY



**SPLIT ROCK FACE TYPE - CLADDING PANELS**  
SCALE 1:5  
BEAU GREY AND BROWN SANDSTONE

SITE SAWN SLOTS DIMENSION TABLE

PANEL JOINT WIDTH DESIRED	'X'	'Y'
5mm	3mm	18mm
UP TO 10mm	3mm	15mm

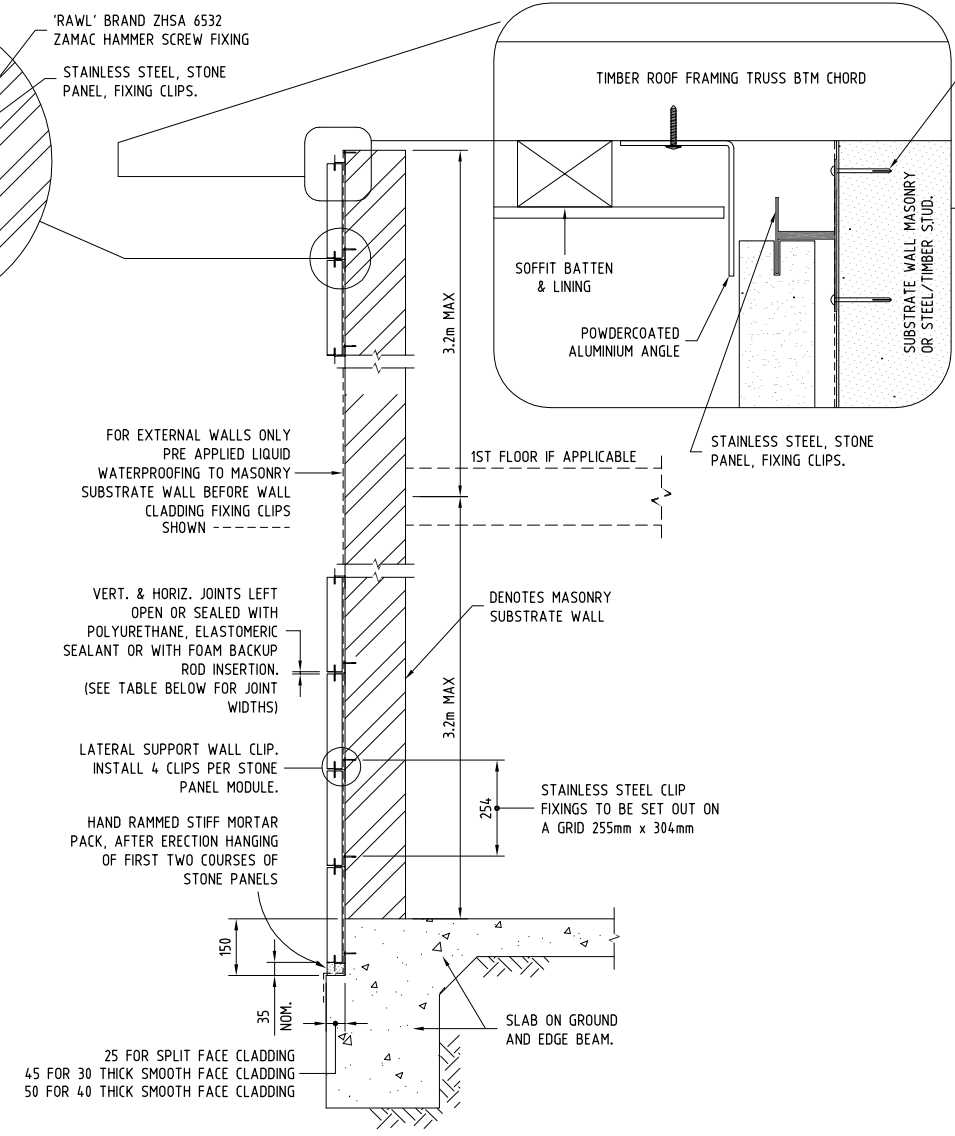


**SMOOTH ROCK FACE TYPE, 30mm THICK CLADDING PANELS**  
SCALE 1:5  
BEAU GREY AND BROWN SANDSTONE

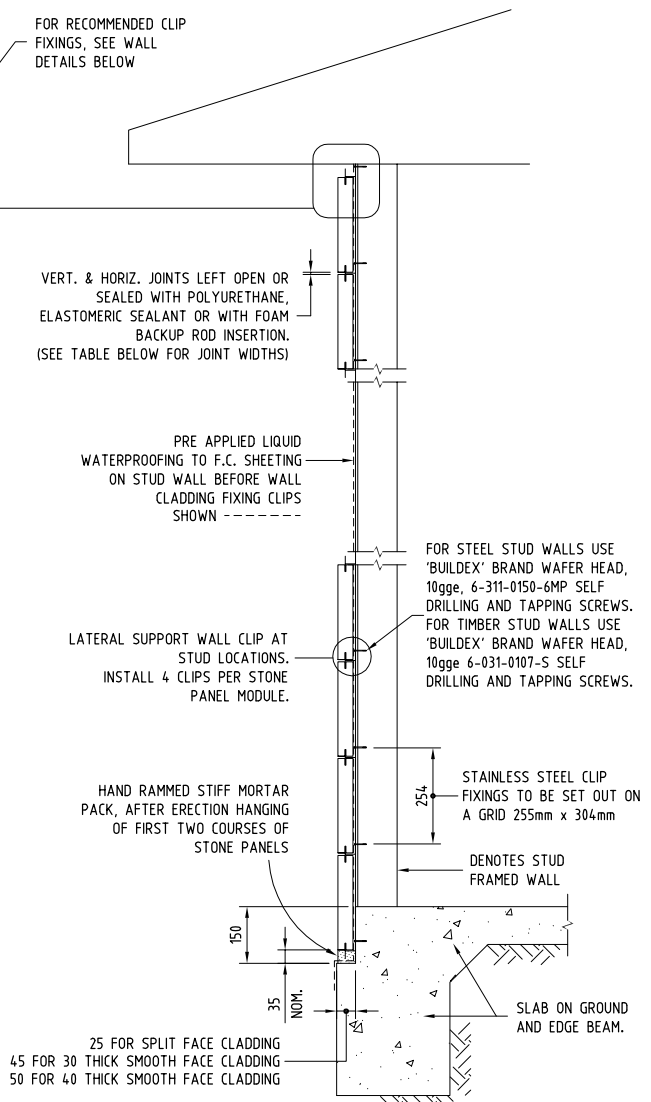
**SMOOTH ROCK FACE TYPE, 40mm THICK CLADDING PANELS**  
SCALE 1:5  
BEAU GREY AND BROWN SANDSTONE

SECTION B SCALE 1:5

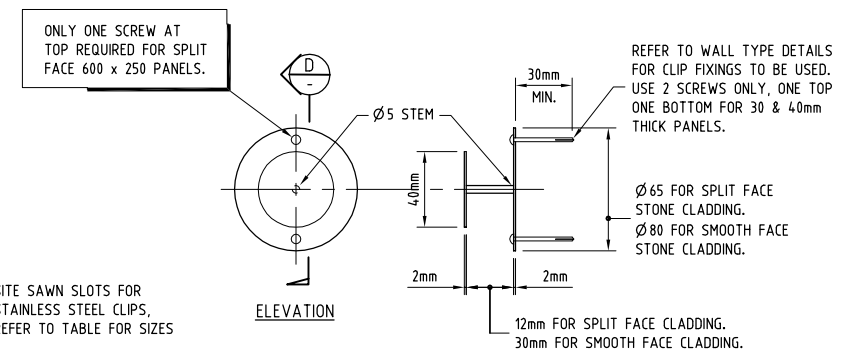
SECTION C SCALE 1:5



**CLADDING SUPPORT DETAILS FOR DOMESTIC 1 & 2 LEVEL MASONRY WALLS**  
SCALE 1:10



**CLADDING SUPPORT DETAILS FOR DOMESTIC SINGLE STORY STUD FRAMED WALLS**  
SCALE 1:10



**FABRICATED STAINLESS STEEL LATERAL SUPPORT, WALL CLIP - DETAILS**  
SCALE 1:2

**NOTE:**  
SUPPORT CLIP IS FABRICATED FROM STAINLESS STEEL. INSTALL 4 CLIPS PER STONE PANEL MODULE.

**COPYRIGHT - ALL RIGHTS RESERVED**  
Copying or reproducing the whole or part of this document in any form without the written permission of GANTEC McWILLIAM Consulting Engineers constitutes an infringement of copyright.  
**DISCLAIMER**  
GANTEC McWILLIAM Consulting Engineers accepts no responsibility for the accuracy or for any consequence resulting from the use or alteration of this drawing in electronic form. Drawings in electronic form should be checked for accuracy against the equivalent hard copy issued by GANTEC McWILLIAM.  
**DIMENSIONS**  
Prior to commencing construction verify all dimensions against Architect's, other Consultant's and Sub-Contractor's drawings. Dimensions are not to be scaled or read electronically from this drawing. Setout dimensions, unless specifically shown, are to be obtained from the Architect's or other Consultant's drawings.

**NOTE:**  
THE STAINLESS STEEL, DUAL CIRCULAR, STONE CLADDING FIXING CLIPS, DETAILED ON THESE DRAWINGS AND IN THE REPORT, HAS BEEN REGISTERED UNDER THE TRADEMARK OF "STONECLIP". THE PRODUCT AND ITS TRADEMARK NAME, MAY NOT BE COPIED, MARKETED OR REPLICATED, WITHOUT THE EXPRESS PERMISSION IN WRITING OF STONEHOUSE CREATIONS PTY. LTD. (PATENT PENDING)

ISSUE	AMENDMENT	DATE	INITIALS
B	SECOND ISSUE	31.08.05	AS
A	FIRST ISSUE	29.07.05	AS

A.S. DRAWN	J.O.G. DESIGNED
J. GIBSON PROJECT ENGINEER	DCS. DESIGN VERIFICATION
D. SHEEHAN PROJECT DIRECTOR	JULY 05 DATE (Copyright)

**GANTEC McWILLIAM**  
consulting engineers  
A.B.N. 79 086 342 065  
41 Fortescue Street  
Spring Hill Qld 4000  
PO Box 99 Spring Hill Qld 4004  
Telephone: (07) 3007 8181  
Facsimile: (07) 3007 8182  
E-Mail: brisbane@gmcw.com.au

PROJECT  
**STONEHOUSE CREATIONS PTY LTD.**

CLIENT  
ARCHITECT

DRAWING TITLE  
**BEAU GREY & BEAU BROWN SAWN SANDSTONE WALL CLADDING SYSTEM, AND FIXING ARRANGEMENTS**

SCALES AS NOTED	CLIENT PROJECT No.
DRAWING No. 05B238	ISSUE
<b>APPENDIX 'A'</b>	<b>B</b>

